

427001086

Store this manual so that it is always available for future reference.

Dear NIMO customer!

Congratulations on your excellent choice of product and welcome to the NIMO family, a global family with its roots in Sweden.

We would like to thank you for your confidence in us and hope you will be happy with your new drying cabinet and that it will serve you well.

A good drying cabinet is well designed, produces good drying results, has a low environmental impact, saves time and energy, has a long service life and is reliable. NIMO offers all this.

When you buy a product from NIMO, you can be safe in the knowledge that the inside is just as good as the outside and that the ethics and morals on which this product is built are as high as its quality and functionality. That is what Swedish quality is all about.

To get the best results from your product and its functions, we recommend that you read this instruction manual before using the product for the first time.

Please contact us by phone or on our web page if you have any questions.

Best regards from Sweden and everyone at NIMO.

Manufacturer: NIMO-VERKEN AB
Box 124
S-548 22 HOVA
Sweden
Tel +46 (0) 506 488 00
Fax + 46 (0) 506 488 10
nimo@nimoverken.com
www.nimoverken.com



We reserve the right to make changes to this document.

Printed on eco-paper that meets the requirements of Miljöförbundet

and Naturskyddsforeningen.

Part No: 427001086 / 02

INNEHÅLL

SAFE OPERATION	4	FIRST START	14
FOR A GOOD ENVIRONMENT	5	PLACEMENT OF LAUNDRY ITEMS	15
<i>PACKAGING MATERIAL</i>	5	<i>USER RECOMMENDATIONS</i>	15
<i>DISPOSING OF AN END-OF-LIFE DRYING CABINET</i>	5	OPERATION	16
DESCRIPTION OF THE DRYING CABINET	6	<i>SELECTING A DRYING PROGRAMME</i>	16
<i>OVERVIEW</i>	6	<i>CHILD LOCK</i>	16
<i>AIR FLOW</i>	7	<i>STARTING WITHOUT THE CHILD LOCK</i>	17
INSTALLATION	8	<i>STARTING WITH THE CHILD LOCK</i>	18
<i>UNPACKING</i>	8	<i>OVERHEATING PROTECTION</i>	19
<i>TIGHT SPACES</i>	9	MAINTENANCE	20
<i>PLACEMENT / MOUNTING</i>	10	<i>CLEANING</i>	20
<i>EXHAUST / AIR INTAKE</i>	11	<i>SERVICE</i>	21
<i>ELECTRICAL CONNECTION</i>	12	<i>REPLACEMENT PART</i>	21
CONTROL PANEL	13	TROUBLESHOOTING	22
<i>BUTTONS</i>	13	<i>HOW TO HANDLE MINOR ISSUES YOURSELF</i>	22
<i>DISPLAY</i>	13	<i>ERROR CODES</i>	23
<i>LANGUAGE SETTING</i>	13	TECHNICAL DATA	24

This User Manual describes the **functions** and **operation** of the drying cabinet and contains instructions for **installation** and **maintenance**.

There is a separate **Service Manual** that describes the programming function of the drying cabinet.

SAFE OPERATION

This drying cabinet complies with current safety standards. Incorrect use can lead to personal injury or damage to property.

These recommendations for safe operation are intended to prevent incorrect use and unnecessary risks and should be read before installation and use of the drying cabinet.

WARNING! This equipment is only intended for drying textiles that have been washed in water.

- ❑ The drying cabinet must be installed and stored indoors.
- ❑ The drying cabinet may be used by children aged 8 years or older and persons (including children) with physical, sensory or mental disabilities, or who lack experience and knowledge, provided that they have received guidance or information on using the drying cabinet and that they understand the risks.
- ❑ Do not allow children to play in, on or with the drying cabinet. Keep an eye on children when they are near the cabinet.
- ❑ Children should never clean or carry out maintenance unsupervised on the drying cabinet.
- ❑ If the power cord is damaged, it must be replaced immediately. Installation of a replacement cord must be performed by the manufacturer, its service agent or other certified electrician!
- ❑ Follow the instructions from NIMO when doing repairs or replacing parts.
- ❑ Don't hang dripping textiles in the cabinet as it is not designed to collect water. It can lead to water leaking onto the floor. Textiles that are so wet that they drip should be spun or, if this is not possible, wrung out before being hung in the drying cabinet. We recommend that the cabinet is placed on a collecting tray to avoid possible water damage to the floor.

FOR A GOOD ENVIRONMENT

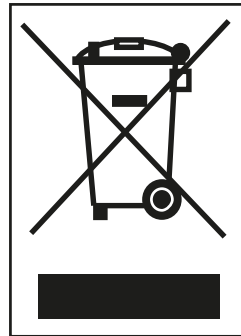
PACKAGING MATERIAL

The packaging material that protects the drying cabinet from damage during transport has been selected with the environment in mind and is therefore recyclable.

Recycling the packaging material reduces raw material use and waste.

DISPOSING OF AN END-OF-LIFE DRYING CABINET

When the drying cabinet is at the end of its life it must be taken for recycling and destruction. Many of the components in the drying cabinet can be recycled, and some materials must be handled in the correct way. For this reason, the cabinet, or parts of the cabinet, should never be disposed of with your household waste, as it can pose an environmental hazard.

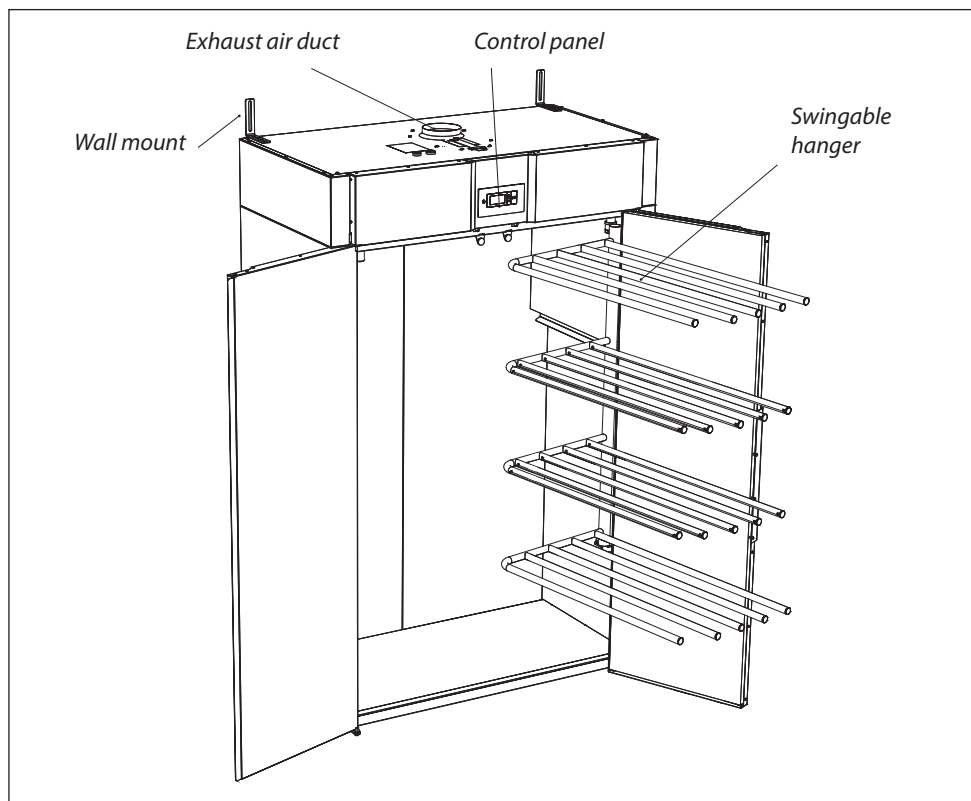


Instead, the end-of-life cabinet should be disposed of at a recycling station. Contact your distributor if necessary.

The plastic components in the drying cabinet are labelled with standardized international symbols. This allows the components of the drying cabinet to be recycled in an eco-friendly way using separation at source.

DESCRIPTION OF THE DRYING CABINET

OVERVIEW



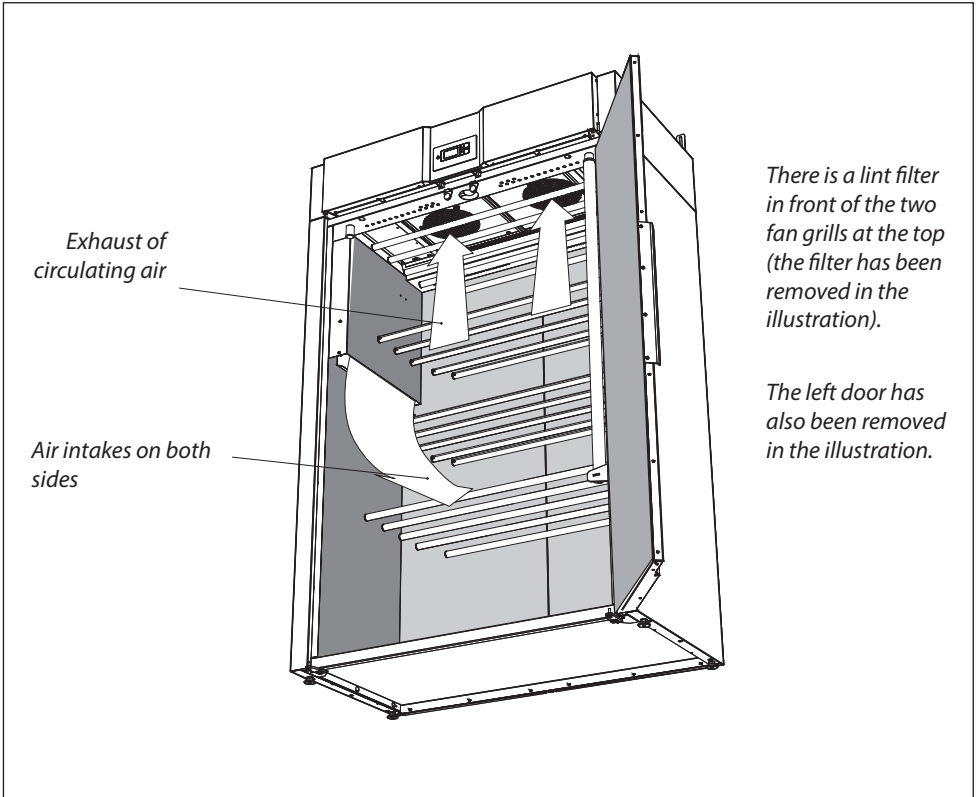
The drying cabinet has a swingable hanger with stainless steel rods to make it easier to hang the laundry. The two middle hanging sections have curtain wires on which garments can be fastened.

The whole hanger can be moved to the other side if required.

When delivered, the hanger is mounted on the right side. Instructions for relocating the hanger to the other side can be found in the Service Manual

DESCRIPTION OF THE DRYING CABINET

AIR FLOW



INSTALLATION



Take care as the cabinet is top heavy and can easily tip over.

Don't move the cabinet by yourself, get someone to help you. There should be at least two people.

Make sure that all the transport protection has been removed before connecting the cabinet.

Packaging materials such as plastic and Styrofoam should be kept out of reach of children.

UNPACKING

Remove all the packaging material. Don't use sharp objects as they could damage the product.






Check that the product has not been damaged in transport. Any transport damage must be reported to the distributor within 7 days.

After unpacking, check that the product is free from defects. Any damage, defects or missing parts must be reported to the distributor immediately.

A complete delivery consists of:

- A cabinet with a mounted top part.
- Mounting kit
- Instruction manual

Mounting kit

		Number
	Screw T6S 6x75 zinc-plated for wall mounting	2
	Screw M6S 8x16 for angle bracket	2
	Washer BRB 8.4x17x1.6	2
	Nylon rawlplug	2
	Angle bracket for wall mounting	2

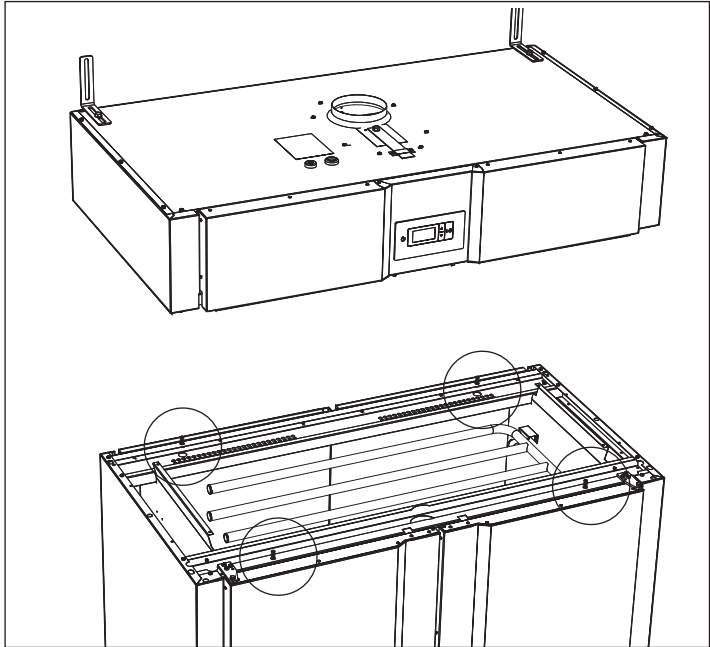
INSTALLATION

TIGHT SPACES

There are lifting straps around the adjustable feet to facilitate transport.

The top part of the drying cabinet can be removed to reduce the height in tight spaces. The lower part of the cabinet will then have a height of 1640 mm.

The top part of the cabinet weighs 38 kg.



Mounting screws (circled) for the top/lower part

Loosen the top part

The top part is attached to the lower part by four screws: two at the back of the cabinet and two inside the doors. See positions in the illustration.

- 1** Open both doors and swing out the hanger.
- 2** Loosen the mounting screws from the integrated rails. The screws are countersunk into the rail.
- 3** Gently lift off the top part.

INSTALLATION

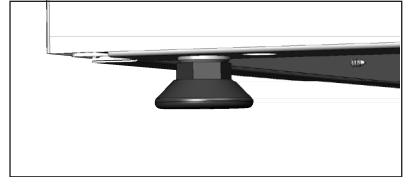
PLACEMENT / MOUNTING

The drying cabinet is only intended to be placed indoors in a dry location.

The drying cabinet must not be placed in an environment where pressure washers are used.

The drying cabinet **must be level on an even surface** and rest on all four feet.

Adjust the four adjustable feet from the outside with a 17 mm wrench. Make sure that the upper edge of the doors are in line and level.



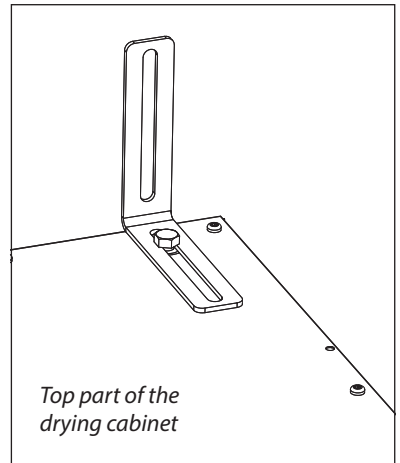
Adjustable foot

Securing to the wall

The cabinet must be **secured to a wall** to prevent it from tipping.

The mounting kit has two **angle brackets** that should be mounted on the top

part of the drying cabinet in accordance with the illustration. Use the supplied screws. The brackets have grooves to adjust them to the wall.



Angle bracket for wall mounting

Fasten the cabinet to the wall. The mounting kit includes screws and

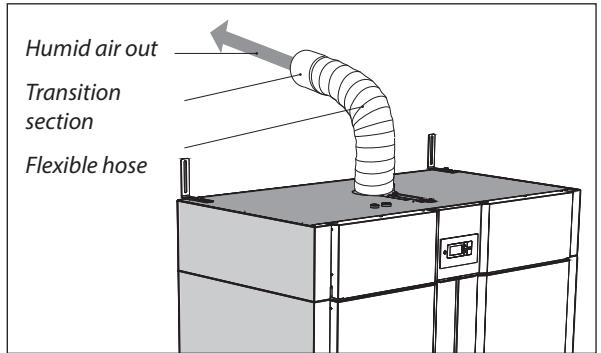
Rawlplugs.

WARNING! *The drying cabinet must not be used without securing it to a wall due to the risk of it tipping.*

INSTALLATION

EXHAUST / AIR INTAKE

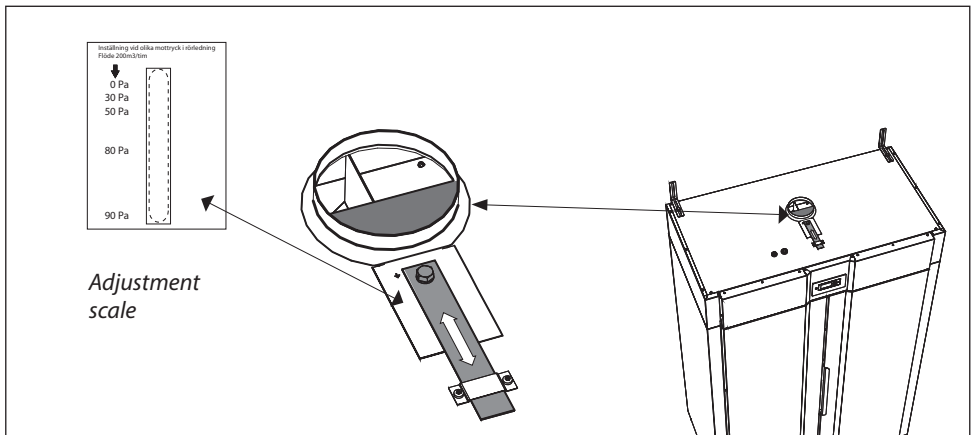
When the cabinet is on, max 250 m³ is exhausted per hour. This exhausted air is taken from the room, so you need to make sure that the replacement air can enter the room. The air intake area should be five times greater than the area of the exhaust hose. The resistance in the grill/blind must not exceed 10 Pa (0.1 bar).



A back valve must be installed on each product if more than one drying cabinet or tumbler drier are installed to the same exhaust duct. This is

done to avoid cold draught or air from one product being pushed into the next.

The drying cabinet works best with an optimal airflow. On the top of the cabinet there is a damper that can be adjusted to a value that matches the pressure loss in the duct. The max. allowed pressure loss is 70 Pa. If the pressure loss exceeds that, an external fan must be installed. An external fan connection is available in the drying cabinet.



Damper for adjustment of the pressure loss in the exhaust duct

Exhaust connection \varnothing 125 mm, max. allowed pressure loss 70 Pa, which corresponds to approx. 23 metres of straight duct.

\varnothing 160 mm corresponds to approx. 70 metres of straight duct.

INSTALLATION

ELECTRICAL CONNECTION

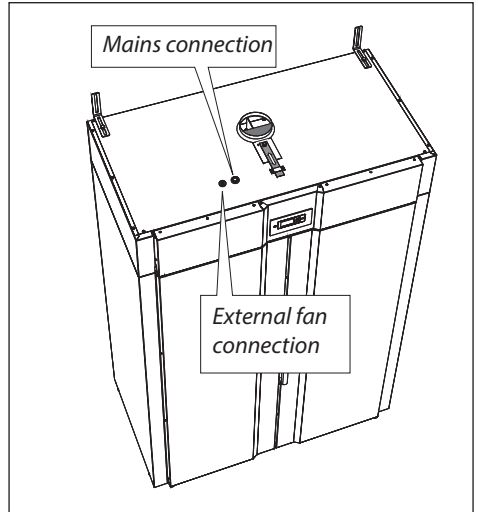
The drying cabinet is connected through a multi-pole switch to 400V 3N AC 50Hz.

Total output 6.2 kW

Fuse 10A slow, 10A automatic fuse

Make sure that the connecting current corresponds to the data on the type plate and that the main power line is grounded correctly in accordance with current standards. We recommend that the mains supply is provided with a residual current device.

The manufacturer will not accept any liability if the electrical connection has not been done in accordance with the description in this manual.



The electrical connection to the appliance must comply with the current standards for electrical safety.

CONTROL PANEL



The drying cabinet has four drying programmes for different kinds of garments. These programmes are set through programming menus with four touch buttons on the menu panel. Several languages are available.

BUTTONS



ON / OFF



START / STOP, starts and stops the program.

OK, confirms a selection and moves to the next menu level.



UP ARROW, changes the programme. When setting or adjusting – increases the value.



DOWN ARROW, changes the programme. When setting or adjusting – decreases the value.

DISPLAY

The display consists of two rows with six characters in each. It shows the current parameter and the value of that parameter when setting or adjusting the drying process.

During the drying process, the selected programme or a message text is displayed.

LANGUAGE SETTING

A number of languages can be used. See the Service Manual to set the language.

FIRST START



Read this instruction manual before using the drying cabinet for the first time.

WARNING! Read the safety instructions on page 4 before using the cabinet.

- 1** Make sure that the cabinet is securely fastened to the wall. See page 10.
- 2** Make sure no packaging material is left out.
- 3** Use hot water and a mild detergent to wash the inside and outside of the drying cabinet. Dry carefully. See the section on 'Maintenance' later in this manual for more information.

PLACEMENT OF LAUNDRY ITEMS

There is a swingable hanger with four sections in the cabinet. Each section has several rods for hanging laundry on.

The two middle sections have curtain wires on which garments can be fastened.

- Hang the items on the drying rack by the amount of space they occupy - not by weight.
- Don't overload the cabinet. The laundry will become creased and the drying uneven. Leave some space between the garments if possible.
- If there is a risk of some laundry colouring other garments, leave space around these.
- Avoid drying heavy garments together with lighter laundry items as their drying times differ too much.
- Avoid hanging dripping textiles in the cabinet as the cabinet is not designed to collect water. This will also lead to abnormally long drying times.

USER RECOMMENDATIONS

- Always follow washing recommendations when available.
- Remove laundry that is already dry. This will shorten the drying time for the remaining laundry.

WARNING! *Don't dry garments or other things that have been treated with petrol or other inflammable or volatile substances. This can lead to an explosive gas mixture.*

OPERATION

The drying cabinet has four drying programmes:

- ❑ **Aut 40° Normal**
- ❑ **Aut 40° Extra**
- ❑ **Aut 60° Normal**
- ❑ **Aut 60° Extra**

The programmes will automatically turn the drying process off when the textiles are dry.

SELECTING A DRYING PROGRAMME

- ❑ **Normal** - Used for drying garments that are of normal thickness.
- ❑ **Extra** - Used for drying thick garments, deep drying.

Select 60° or 40° depending on the washing recommendation for the garment.

CHILD LOCK

To make sure the drying process is not interrupted or started accidentally, a child lock can be activated.

Functionality of the child lock

The activation buttons must be pressed for at least 3 sec. (the delay time).

Activation/Deactivation of the child lock

The child lock is activated and deactivated by service personnel. When the function has been activated, a clock symbol will be shown in the display.

The cabinet will be delivered with the child lock deactivated.

OPERATION

STARTING WITHOUT THE CHILD LOCK

□ **Last drying programme used**

Push the mains switch to the '**ON**' position – indicated by the display being lit and showing the last programme used.

To use this feature, press **START/STOP** or select another drying programme using the **UP** or **DOWN ARROW** button.

The drying programme is then started with the **START/STOP** button.

The drying process will stop automatically when the textiles are dry, and the drying programme will enter the cooling period.

If the door is open when the drying programme starts and the **START/STOP** button has been activated, the display will show '**CLOSE THE DOOR**'. Close the door and the selected drying programme will start.

□ **Programme pause**

If the door is opened during the drying process, the heat will be turned off and the fan will continue to run for another 5 min.

If the door is closed during this 5 min. period, the drying programme will restart from the beginning.

If the door is left open, the drying process will be cancelled, and it will have to be re-started manually.

□ **During operation.**

The **animated symbol** (bar) on the left side of the display indicates that the drying process is in progress.

□ **Programme end**

The drying process is finished when the cooling period has ended and the display flashes the text '**END**'.

When the **START/STOP** button is pressed, or the door is open, the current programme ends and the display will show the last programme used.

□ **End drying programme**

To cancel a drying process in progress, press **START/STOP**.

N.B. The fans will continue to run for approx. 3 min. to cool the electric element packages

OPERATION

STARTING WITH THE CHILD LOCK

□ *Last drying programme used*

Push the mains switch to the 'ON' position - indicated by the display being lit and showing the last programme used.

If you want to use this programme, **press and hold the START/STOP button for at least 3 sec.** and the drying process will start. Alternatively, select another drying programme using the **UP** or **DOWN ARROW** button. **An LED will indicate the programme used.**

If the button is pressed for less than 3 sec. the drying process will not start.

The drying process will stop automatically when the textiles are dry, and the drying programme will enter the cooling period.

If the door is open when the drying programme starts and the **START/STOP** button is activated, the display will show '**CLOSE THE DOOR**'. Close the door and the selected drying programme will start.

□ *Programme pause*

If the door is opened during a drying process, the heat will be turned off and the fan will continue to run for another 5 min. The LED for a paused programme will flash during this 5 min. period.

If the door is closed during this 5 min. period, the drying programme will restart from the beginning.

If the door is left open, the drying process will be cancelled and will have to be restarted manually.

□ *During operation*

The animated symbol (bar) on the left side of the display will indicate that the drying process is in progress.

□ *Programme end*

The drying process will be finished when the cooling period has ended and the display flashes the text '**END**'. When the door is opened, the current programme will end and the display will show the last programme used.

□ *End drying programme*

To cancel a drying process in progress with the child lock activated, press the **START/STOP** button for at least 3 sec. The drying process will end after 3 sec.

If the **START/STOP** button is pressed for less than 3 sec., the process will continue. The cabinet functions have thereby not been cancelled.

N.B. The fans will continue to run for approx. 3 min. to cool the electric elements.

OPERATION

OVERHEATING PROTECTION

The cabinet has double protection against overheating.

Overheating protection – reset by the user.

Main regulation – reset by the service personnel.

Overheating protection

If the cabinet overheats during operation, the electric elements turn off and the fan continues to run.

The display will **flash 'ERR 05'**.

When the temperature in the cabinet is down to an acceptable level (within approx. 4 min.), the display will show **'ERR 05'** with a **fixed display** and the text **'OH PROTECTION'** will be rolling on the lower line.

The overheating protection can then be reset by pressing and holding the **START/STOP** button for approx. 4 sec.

Main regulation

If the drying cabinet should overheat for some reason during the drying process, the main regulation will be triggered.

The main regulation must be reset by service personnel who will also examine the cause when resetting it.

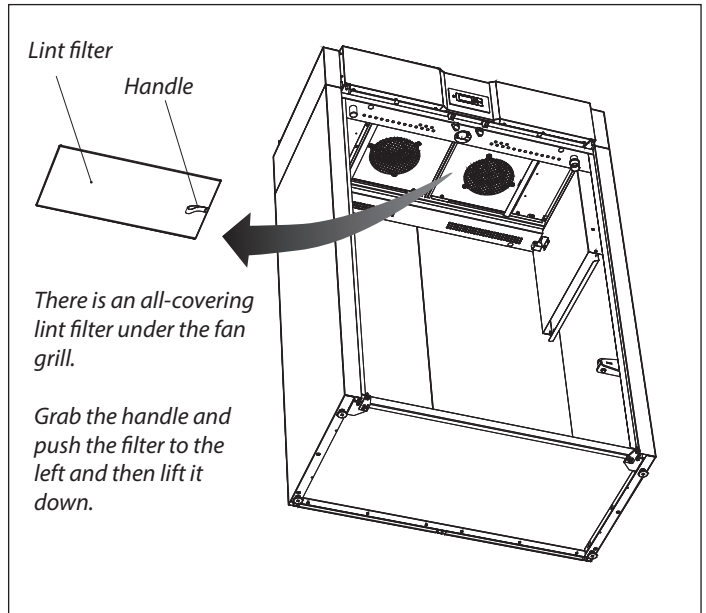
MAINTENANCE

CLEANING

N.B. High pressure cleaning equipment must not be used!

Clean the walls of the cabinet with a damp cloth and mild soap solution.

Clean the lint filter with the brush supplied.

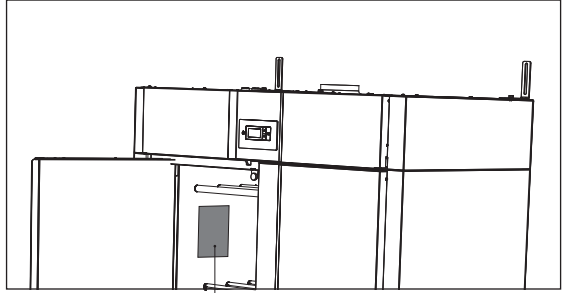


MAINTENANCE

SERVICE

Make a note of the drying cabinet's designation, part number and serial number **before contacting the service department.**

This information is available on the type plate on the inside of the cabinet.



Type plate (inside)



Designation of the drying cabinet

Part number

Serial number (8 digits)

REPLACEMENT PART

Follow the **recommendations from NIMO** when carrying out repairs or replacing parts. If the connection cable is damaged for any reason, it must be replaced. Original parts are available from the distributor of the cabinet.

N.B. Installation of a replacement cord must be performed by the manufacturer, its service agent or other certified electrician!

TROUBLESHOOTING

HOW TO HANDLE MINOR ISSUES YOURSELF

Questions	What you can do
The drying cabinet is not working	<ol style="list-style-type: none">1. Check the mains connection and that there is power.2. Check that none of the fuses has blown.3. Have you pushed the START button?4. Are the doors closed?
Drying takes a long time	<ol style="list-style-type: none">1. Clean the lint filter (must be performed after each drying session).2. Make sure that the right programme has been selected for the laundry items.3. Make sure that the laundry items are not very wet (not spun enough).4. Make sure that there are not too many laundry items hanging in the cabinet.
The laundry doesn't dry	<ol style="list-style-type: none">1. Make sure that the right programme has been selected for the laundry items.2. Make sure that there are not too many laundry items hanging in the cabinet.3. The programme that controls the drying process needs to be adjusted. Contact a service engineer.

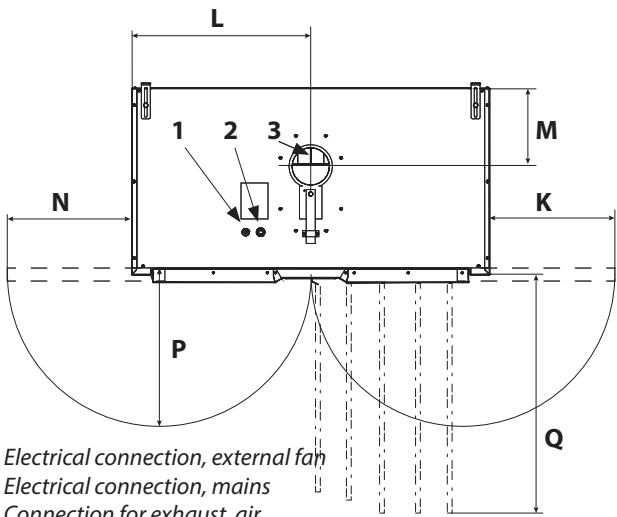
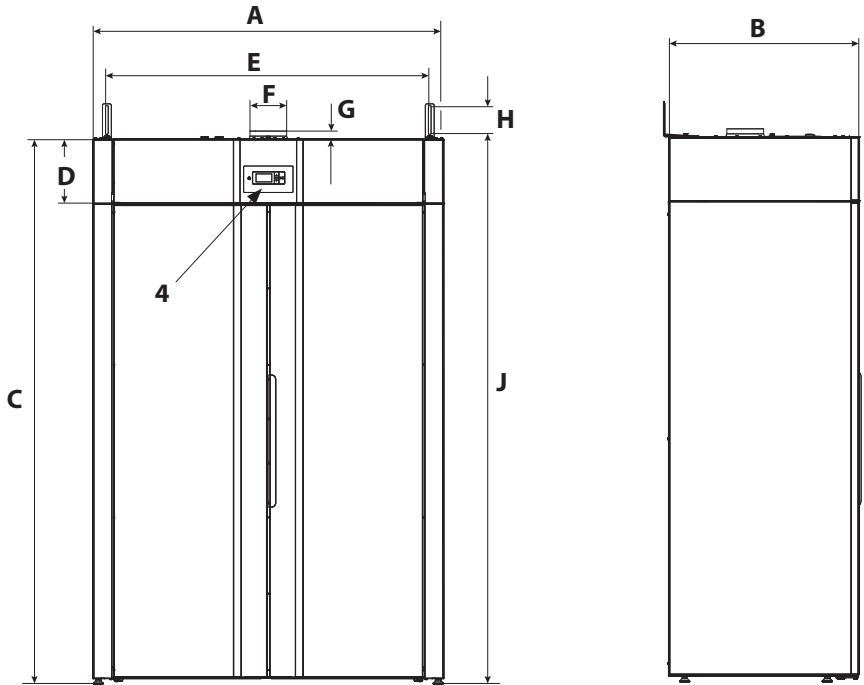
TROUBLESHOOTING

ERROR CODES

No.	Name.	Description / Action
ERR 01	Temp. sensor malfunction, cabinet	Contact service
ERR 02	Temp. sensor malfunction, exhaust air	Contact service
ERR 04	Max. time for the drying process has been exceeded	Contact service
ERR 05	Overheating	Reset. See section " Overheating protection "
ERR 08	Clean filter 100 hours	Reset with START/STOP for 5 sec.
ERR 12	Communication timeout	Contact service

Press the STOP button for 5 sec. to reset an error code.

TECHNICAL DATA



- 1 Electrical connection, external fan
- 2 Electrical connection, mains
- 3 Connection for exhaust air
- 4 Control panel

	mm
A	1200
B	650
C	1860
D	220
E	1100
F diam.	125
G	27
H	90
J	1880
K	434
L	600
M	262
N	471
P	551
Q	807

TECHNICAL DATA

Capacity:	max. 6 - 8 kg laundry
Drainage capacity:	72 g/min (6.5 kg 50% residual moisture)
Electrical connection:	400V 3N AC 50Hz. 10 A slow, 10 A automatic fuse
Output:	6.2 kW
Hanging length:	18 metres
Dimensions:	Height 1860 mm Width 1200 mm Depth 650 mm
Weight:	145 kg
Sound level:	Airborne noise during full load 57 dB(A)

POWER CONSUMPTION AND DRYING TIMES WHEN DRYING SPUN LAUNDRY *)

Program	Power consumption kWh/kg	Drying time
Aut 60° Normal	0.7	55 min

**) Values can vary depending on:*

- rotation speed during spinning*
- temperature, humidity at the premises*
- air circulation at the premises (air intake, exhausted air)*
- the settings in the parameter list for the humidity sensors and the time for the EXTRA programme*

The value relate to load of 6.5 kg, 50% residual moisture

MANUFACTURING STANDARDS

See the type plate in the cabinet

